

AIR CONDITIONER

Use & Care Guide

For questions about features, operation/performance, parts, accessories or service call: **1-800-253-1301**

Table of Contents 2

TABLE OF CONTENTS

AIR CONDITIONER SAFETY	2	Starting Your Air Conditioner—Digital Control	15
INSTALLATION REQUIREMENTS	3	Starting Your Air Conditioner—Rotary Control.....	18
Tools and Parts	3	Changing Air Direction	19
Location Requirements.....	3	Normal Sounds.....	19
Electrical Requirements	4	AIR CONDITIONER CARE	20
INSTALLATION INSTRUCTIONS	5	Cleaning the Air Filter	20
Unpack the Air Conditioner.....	5	Cleaning the Front Panel.....	20
Window Installation	6	Repairing Paint Damage	20
Prepare Air Conditioner for Window Installation	8	Annual Maintenance.....	20
Position the Air Conditioner in Window	9	TROUBLESHOOTING	21
Through-the-Wall Installation.....	10	ASSISTANCE OR SERVICE	23
Position the Air Conditioner Through the Wall	13	In the U.S.A.	23
AIR CONDITIONER USE	15	Accessories	23

AIR CONDITIONER SAFETY

Your safety and the safety of others are very important.

We have provided many important safety messages in this manual and on your appliance. Always read and obey all safety messages.



This is the safety alert symbol.

This symbol alerts you to potential hazards that can kill or hurt you and others.

All safety messages will follow the safety alert symbol and either the word “DANGER” or “WARNING.” These words mean:

⚠ DANGER

You can be killed or seriously injured if you don't immediately follow instructions.

⚠ WARNING

You can be killed or seriously injured if you don't follow instructions.

All safety messages will tell you what the potential hazard is, tell you how to reduce the chance of injury, and tell you what can happen if the instructions are not followed.

IMPORTANT SAFETY INSTRUCTIONS

WARNING: To reduce the risk of fire, electrical shock or injury when using your air conditioner, follow these basic precautions:

- Plug into a grounded 3 prong outlet.
- Do not use an extension cord.
- Do not remove ground prong.
- Unplug air conditioner before servicing.
- Do not use an adapter.
- Use two or more people to move and install air conditioner.

SAVE THESE INSTRUCTIONS

INSTALLATION REQUIREMENTS

Tools and Parts

Gather the required tools and parts before starting installation. Read and follow the instructions provided with any tools listed here.

Tools needed

- Flat-blade and Phillips screwdrivers
- 1/4" nut driver
- 7/16" wrench
- Scissors
- Pencil
- Tape measure
- Level
- Drill
- 3/32" or smaller drill bit

Through-the-Wall Installation

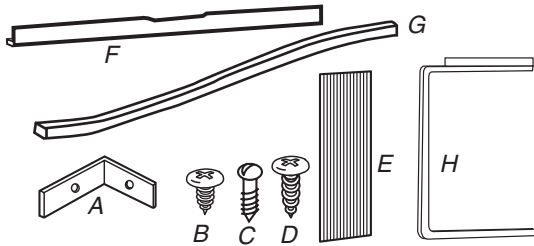
In addition to the tools listed above, the following tools are needed for through-the-wall installation.

- Saw
- Wood preservative
- Caulk
- 1" (2.5 cm) or thicker lumber

Parts supplied

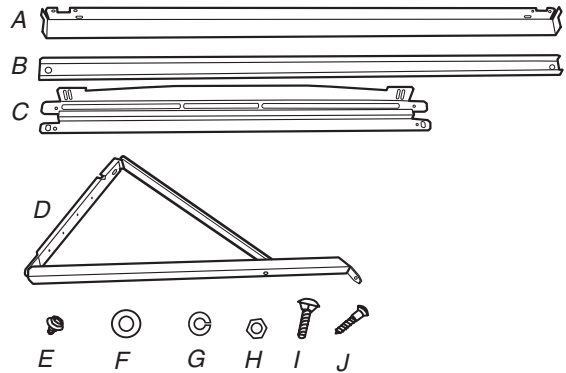
Check that all parts are included in parts package.

Air conditioner installation



- A. Window-lock bracket
- B. #8 x 3/8" pan-head screws (6)
- C. #8 x 3/4" round-head screws (3)
- D. #10 x 3/8" pan-head screws (3)
- E. Side curtains (2)
- F. Top channel
- G. Foam seal
- H. Side curtain frames (2)

SMART-MOUNT® tray assembly installation



- A. Tray back
- B. Tray center
- C. Tray sides (2)
- D. Support legs (2)
- E. #8 - 18 x 1/4" hex-head screws (4)
- F. Flat washers (4)
- G. Lock washers (4)
- H. Hex nuts (4)
- I. Carriage bolts (4)
- J. #10 - 12 x 1 1/2" slot-head wood screws (2)

Location Requirements

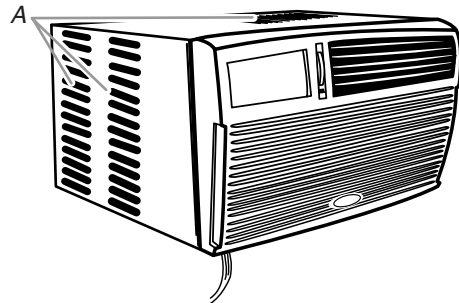
IMPORTANT: Observe all governing codes and ordinances.

Check the location where the air conditioner will be installed. Make sure you have everything necessary for correct installation.

The location should provide:

- Grounded electrical outlet within 4 ft (122 cm) of where the power cord exits the air conditioner.
NOTE: Do not use an extension cord.
- Free movement of air in room to be cooled.
- A large enough opening for the air conditioner. Installation parts are supplied for double-hung windows.
- Adequate wall support for weight of air conditioner. Air conditioner weighs 80 lbs (36.3 kg) to 125 lbs (56.7 kg).

NOTE: Cabinet louvers must not be obstructed. Air must be able to pass freely through the cabinet louvers.

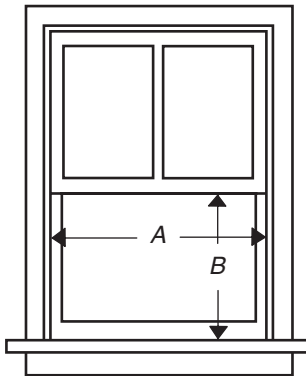


A. Cabinet louvers

Window Installation

Window opening measurements:

- 27" (68.6 cm) minimum to 40" (101.6 cm) maximum opening width.
- 19" (48.3 cm) minimum opening height.

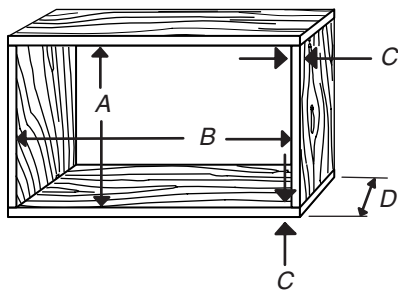


A. 27" (68.6 cm) minimum, 40" (101.6 cm) maximum
B. 19" (48.3 cm) minimum

Through-the-Wall Installation

The wall opening measurements should be:

- Height: 18" (45.7 cm) plus twice the thickness of wood used to build frame.
- Width: 26" (66 cm) plus twice the thickness of wood used to build frame.
- Depth: 2" (5 cm) minimum to 8" (20.3 cm) maximum.



A. 18" (45.7 cm) C. Wood thickness
B. 26" (66 cm) D. 2" (5 cm) minimum to 8" (20.3 cm) maximum

Electrical Requirements

⚠ WARNING



Electrical Shock Hazard

Plug into a grounded 3 prong outlet.

Do not remove ground prong.

Do not use an adapter.

Do not use an extension cord.

Failure to follow these instructions can result in death, fire, or electrical shock.

The electrical ratings for your air conditioner are listed on the model and serial number label. The model and serial number label is located on the right-hand side of the cabinet.

Specific electrical requirements are listed in the chart below. Follow the requirements for the type of plug on the power supply cord.

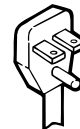
Power supply cord

Wiring requirements



- 115-volt (103.5 min. - 126.5 max.)
- 0-12 amps
- 15-amp time-delay fuse or circuit breaker
- Use on single outlet circuit only.

¼"
(0.6 cm)



- 230-volt (207 min. - 253 max.)
- 0-12 amps
- 15-amp time-delay fuse or circuit breaker
- Use on single outlet circuit only.

Recommended grounding method

This air conditioner must be grounded. This air conditioner is equipped with a power supply cord having a grounded 3 prong plug. To minimize possible shock hazard, the cord must be plugged into a mating, grounded 3 prong outlet, grounded in accordance with all local codes and ordinances. If a mating outlet is not available, it is the customer's responsibility to have a properly grounded 3 prong outlet installed by a qualified electrical installer.

It is the customer's responsibility:

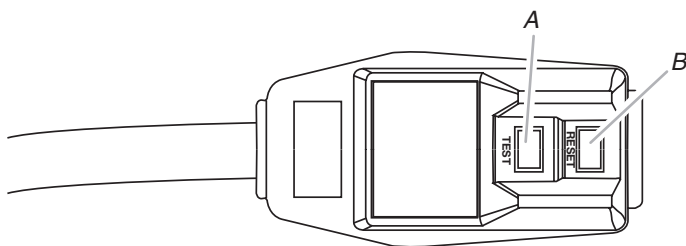
- To contact a qualified electrical installer.
- To assure that the electrical installation is adequate and in conformance with National Electrical Code, ANSI/NFPA 70 - latest edition, and all local codes and ordinances.

Copies of the standards listed may be obtained from:

National Fire Protection Association
One Batterymarch Park
Quincy, MA 02269

Power Supply Cord

NOTE: Your unit's device may differ from the one shown.



A. Test button
B. Reset button

This room air conditioner is equipped with a power supply cord required by UL. This power supply cord contains state-of-the-art electronics that sense leakage current. If the cord is crushed, the electronics detect leakage current and power will be disconnected in a fraction of a second.

⚠ WARNING



Electrical Shock Hazard

Plug into a grounded 3 prong outlet.

Do not remove ground prong.

Do not use an adapter.

Do not use an extension cord.

Failure to follow these instructions can result in death, fire, or electrical shock.

To test your power supply cord:

1. Plug power supply cord into a grounded 3 prong outlet.
2. Press RESET.
3. Press TEST (listen for click; Reset button will trip and pop out).
4. Press and release RESET (listen for click; Reset button will latch and remain in). The power supply cord is ready for operation.

NOTES:

- The Reset button must be pushed in for proper operation.
- The power supply cord must be replaced if it fails to trip when the test button is pressed or fails to reset.
- Do not use the power supply cord as an off/on switch. The power supply cord is designed as a protective device.
- A damaged power supply cord must be replaced with a new power supply cord obtained from the product manufacturer and must not be repaired.
- The power supply cord contains no user serviceable parts. Opening the tamper-resistant case voids all warranty and performance claims.

INSTALLATION INSTRUCTIONS

Unpack the Air Conditioner

⚠ WARNING

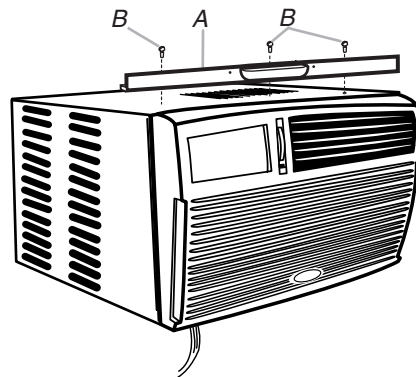
Excessive Weight Hazard

Use two or more people to move and install air conditioner.

Failure to do so can result in back or other injury.

Remove packaging materials

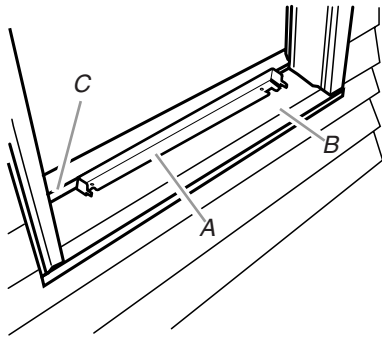
- Remove and properly dispose of packaging materials. Remove tape and glue residue from surfaces before turning on the air conditioner. Rub a small amount of liquid dish soap over the adhesive with your fingers. Wipe with warm water and dry.
 - Do not use sharp instruments, rubbing alcohol, flammable fluids, or abrasive cleaners to remove tape or glue. These products can damage the surface of your air conditioner.
 - Handle air conditioner gently.
1. Locate provided bag of pan-head screws.
 2. Place the top channel on top of the air conditioner, lining up the holes in top channel with the holes on top of air conditioner.
 3. Using 3 - #10 x $\frac{3}{8}$ " pan-head screws, attach top channel to air conditioner.



A. Top channel
B. #10 x $\frac{3}{8}$ " pan-head screw

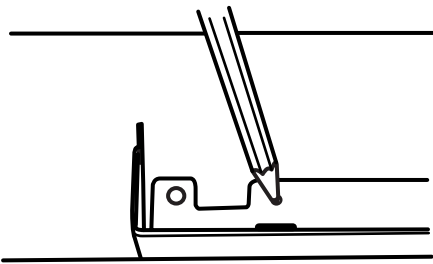
Window Installation

- Using the tray back as a template, center in windowsill against outside edge of stool.



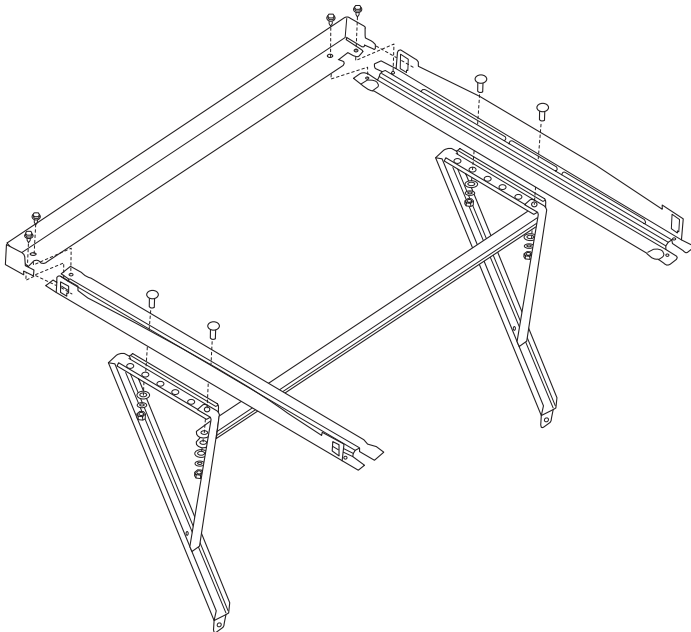
A. Tray back
B. Windowsill
C. Outside edge of stool

- Using the 2 inside screw holes in tray back, mark screw locations on windowsill for mounting the SMART-MOUNT® tray.

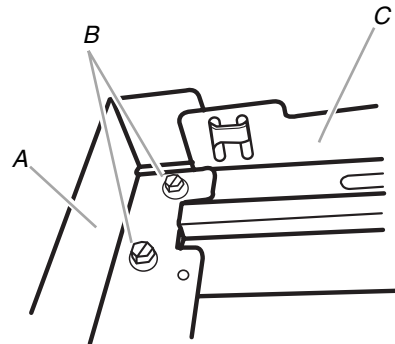


- Remove tray back. Using these marks, drill $\frac{3}{32}$ " pilot holes in the windowsill approximately $1\frac{1}{2}$ " (3.8 cm) deep.

Assemble SMART-MOUNT® Tray



- To assemble the tray frame, insert tab on tray back into slot on tray side. Check to see that the tab is engaged and the 2 pieces are aligned. Insert 2 - #8 - 18 x $\frac{1}{4}$ " hex-head screws to secure.
- Repeat with other tray side.

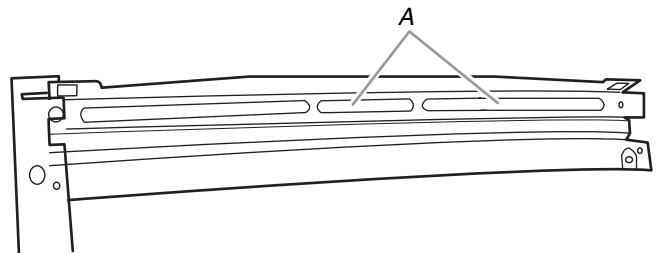


A. Tray back
B. #8 - 18 x $\frac{1}{4}$ " hex-head screws
C. Tray side

Attach Support Legs

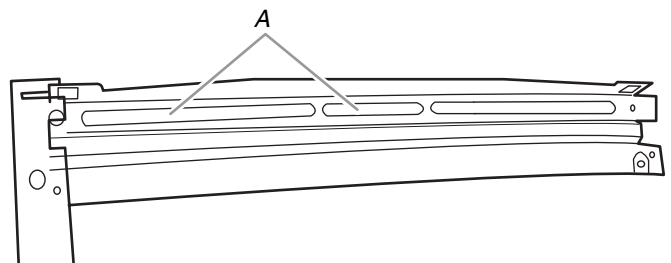
- Determine the correct slots on the tray side from the type of exterior construction of the building.

Thin Wall Construction (vinyl, wood, etc.)



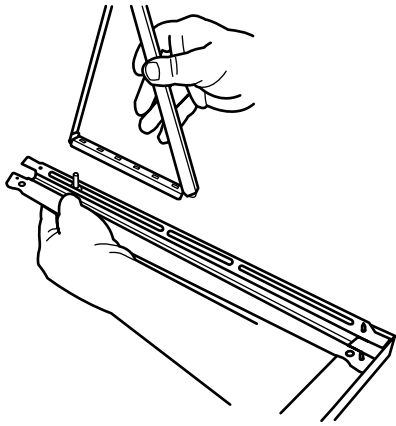
A. First and second slots

Thick Wall Construction (brick)

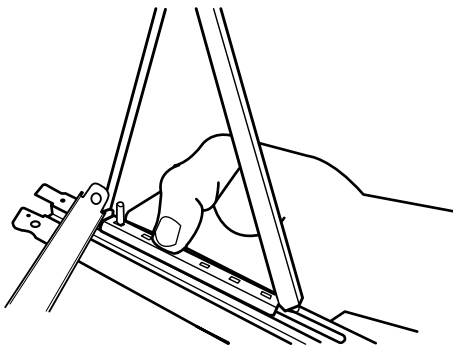


A. Second and third slots

2. Insert carriage bolt up through slot on tray-frame side and support leg.

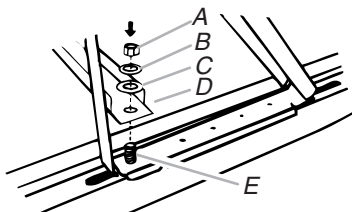


3. Place one end of tray center over carriage bolt.



4. Then place flat washer, lock washer and hex nut.

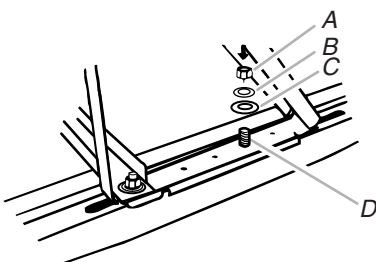
NOTE: Do not tighten. The leg must be able to move freely to adjust angle when installed.



A. Hex nut
B. Lock washer
C. Flat washer
D. Tray center
E. Carriage bolt

5. Insert second carriage bolt through tray side and attach other end of support leg.

NOTE: Do not tighten. The leg must be able to move freely to adjust angle when installed.

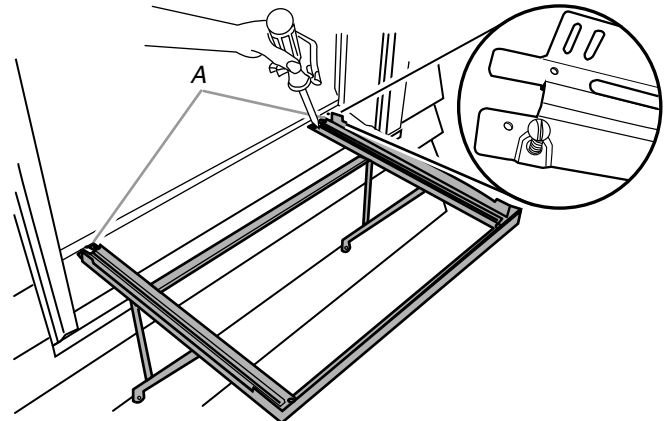


A. Hex nut
B. Lock washer
C. Flat washer
D. Carriage bolt

6. Install support leg on other side.

Install SMART-MOUNT® Tray Assembly in Window

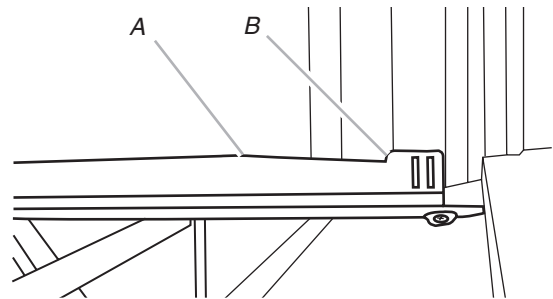
1. From inside, place SMART-MOUNT® tray, support legs facing down, in the window. Match the holes in tray side with the predrilled holes in windowsill.
2. Using 2 - #10 - 12 x 1 1/2" slot-head wood screws, secure the tray frame to the window.



A. #10 - 12 x 1 1/2" slot-head wood screws

NOTE: If the exterior of building can be damaged by support legs, place a board between the wall and support legs.

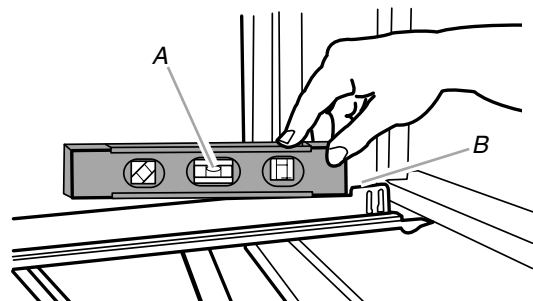
3. With tray center pushed away from the windowsill, place a level on the angled edge on top of the tray side. Be sure level is against notch on tray side.



A. Angled edge on top of the tray side
B. Notch

4. Adjust SMART-MOUNT® tray until bubble indicates the angled edge on top of the tray side is level.

IMPORTANT: The tray must slope downward slightly toward the outside to provide proper drainage for the air conditioner.



A. Bubble indicates the angled edge on top of the tray side is level.
B. Place level on angled edge against notch on tray side.

5. Tighten the hex nut just enough to hold tray center in place.
6. Repeat with other side.
7. Tighten hex nuts securely with 7/16" wrench.

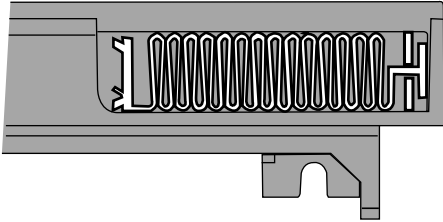
Prepare Air Conditioner for Window Installation

Install Side Curtains

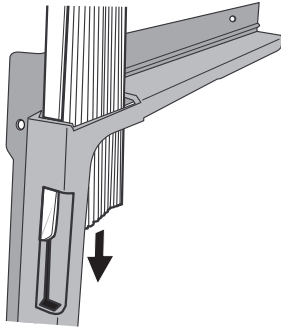
NOTE: Attach curtains to unit before placing unit in window.

1. Insert curtain into curtain frame. Make sure curtain end locks into curtain frame.

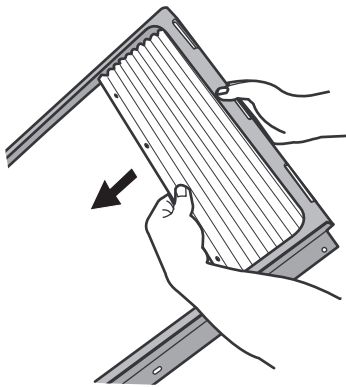
Top View



Side View

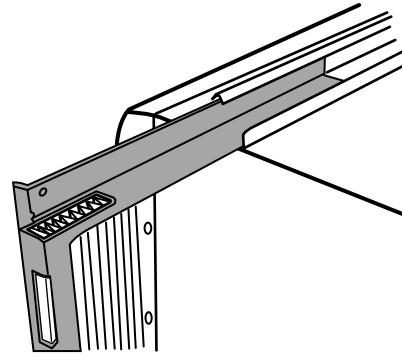


2. Push curtain in all the way.
3. Pull curtain toward open end of curtain frame.

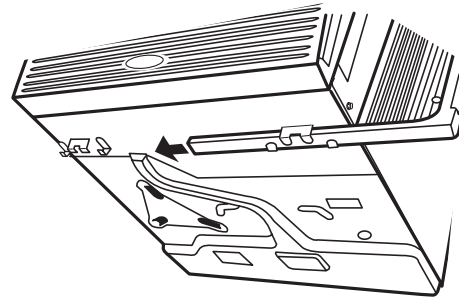


4. Insert top and then bottom of right-hand curtain frame in top and bottom curtain guides on air conditioner.

Top View

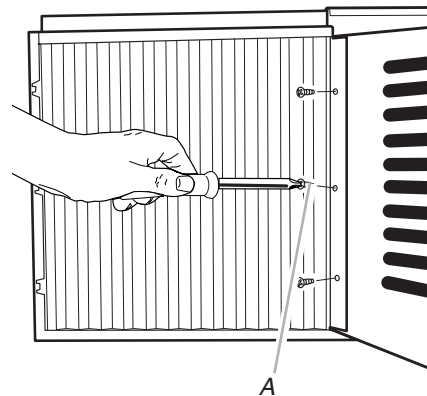


Bottom View



5. Extend right-hand curtain outward so you may insert the first screw through the middle hole of the curtain. Using a #8 x 3/8" pan-head screw, screw curtain to middle hole in air conditioner cabinet.

NOTE: This screw is required to correctly attach curtain (top to bottom) to the air conditioner cabinet.



A. #8 x 3/8" pan-head screw

6. While the right-hand curtain is still extended, insert screws into top and bottom slots of curtain. Using #8 x 3/8" pan-head screws, screw curtain to the top and bottom holes in air conditioner cabinet.
7. Slide curtain housing into guides as far as it will go.
8. Repeat above steps for left-hand curtain.

Position the Air Conditioner in Window

- Handle air conditioner gently.
- Be sure your air conditioner does not fall out of the opening during installation or removal.
- Do not block the louvers on the front panel.
- Do not block the louvers on the outside of the air conditioner.

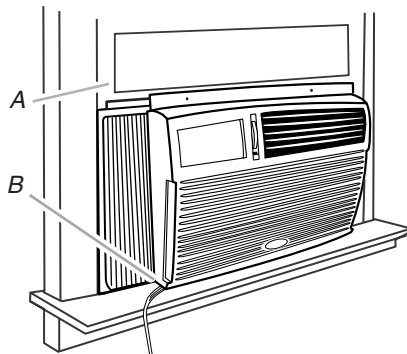
! WARNING

Excessive Weight Hazard

Use two or more people to move and install air conditioner.

Failure to do so can result in back or other injury.

1. Put air conditioner on SMART-MOUNT® tray. Check that feet on bottom of air conditioner are behind and against back side of windowsill. Lower window sash.

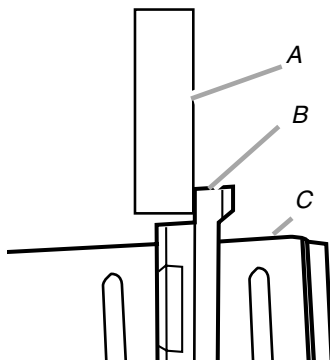


A. Window sash
B. Feet on bottom of air conditioner behind back side of windowsill

2. If window sash does not close flush against rear surface of top channel, remove air conditioner and adjust SMART-MOUNT® tray until window sash closes flush against rear surface of top channel.

IMPORTANT: The tray must slope downward slightly toward the outside to provide proper drainage for the air conditioner.

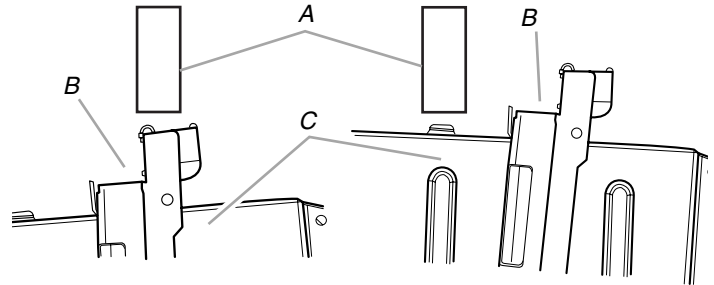
Correct Installation



A. Window sash
B. Top channel
C. Air conditioner

If your air conditioner looks like either of the illustrations in the "Incorrect installation" graphic, SMART-MOUNT® tray needs adjustment.

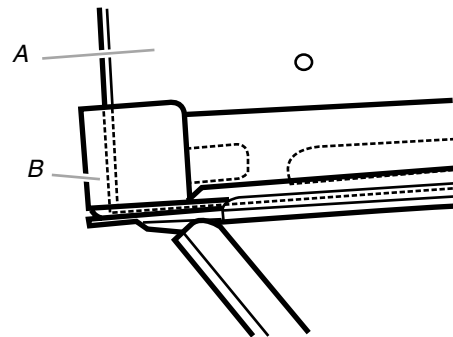
Incorrect Installation



A. Window sash
B. Top channel
C. Air conditioner

3. If the bottom of the air conditioner does not sit against the bottom of the SMART-MOUNT® tray, remove air conditioner and adjust angle of tray until air conditioner sits against the bottom of the tray.

IMPORTANT: The tray must slope downward slightly toward the outside to provide proper drainage for the air conditioner.

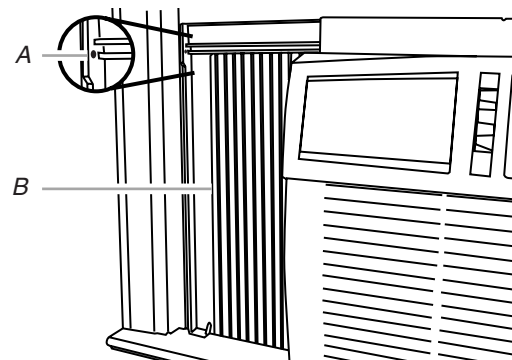


A. Air conditioner sitting on SMART-MOUNT® tray
B. SMART-MOUNT® tray

Attach Side Curtains to Window

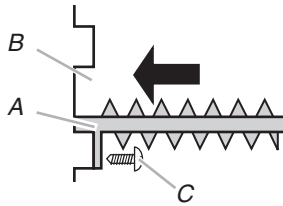
1. Pull left-hand curtain frame out until it fits into the window channel. Repeat with right-hand curtain frame.
2. Insert one of the #8 x 3/4" round-head screws through left-hand curtain frame and into the window channel to fasten the curtain frame to the window.
3. Repeat for right-hand curtain frame.

Front View



A. Hole for #8 x 3/4" round-head screw
B. Side curtain

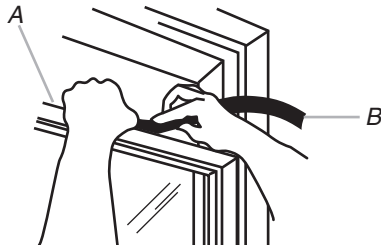
Top View



- A. Side curtain against window channel
- B. Window channel
- C. #8 x 3/4" round-head screw

Complete Installation

1. Insert foam seal behind the top of the lower window sash and against the glass of the upper window.



- A. Lower window sash
- B. Foam seal

2. Place window-lock bracket on top of lower window and against upper window sash.
3. Use a 3/32" drill bit to drill a starter hole through the hole in the bracket into the window sash.

⚠ WARNING



Electrical Shock Hazard

Plug into a grounded 3 prong outlet.

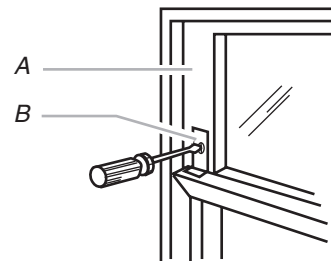
Do not remove ground prong.

Do not use an adapter.

Do not use an extension cord.

Failure to follow these instructions can result in death, fire, or electrical shock.

4. Attach window-lock bracket to window sash with #8 x 3/4" round-head screw to secure window in place.



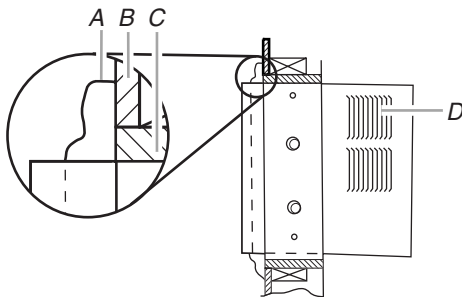
- A. Upper window sash
- B. Window-lock bracket

5. Plug into a grounded 3 prong outlet.
6. Press RESET on the power supply cord plug.

Through-the-Wall Installation

Option 1—Wood, Metal or Plastic Molding

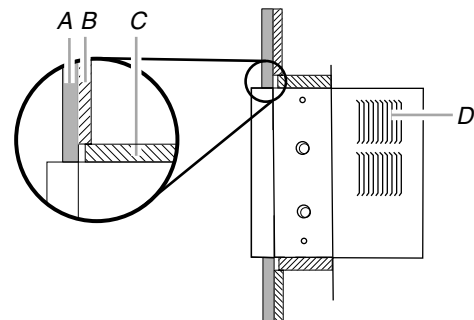
When you are using a wood, metal or plastic molding, the wood frame should line up with inside wall as shown.



- A. Molding
- B. Inside wall
- C. Wood frame
- D. Louvers

Option 2—Plaster Wall With No Molding

If the plastered wall is to be flush with the cabinet and no molding is used, the wood frame must be set 1/2" (13 mm) into the inside wall.



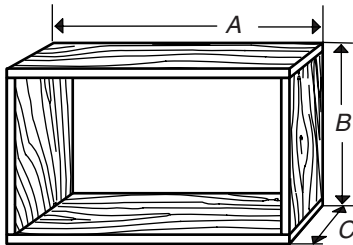
- A. Plastered wall
- B. Inside wall
- C. Wood frame
- D. Louvers

Install Wood Frame

1. Construct wood frame. See "Location Requirements" for dimensions.
2. Measure outside width and height of frame to determine wall opening dimensions.
3. Cut opening through the wall. Remove and save insulation.

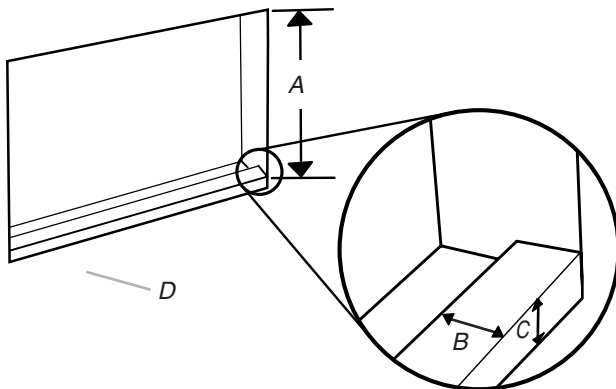
NOTES:

- Dimension for depth depends on wall thickness and type of molding.
- Do not block louvers in air conditioner cabinet.
- Use 1" (2.5 cm) or thicker lumber for wood frame.



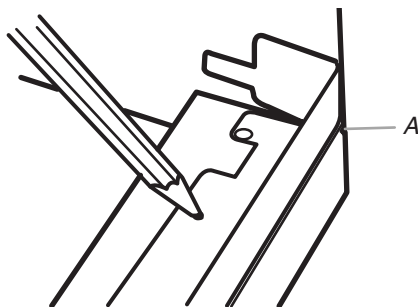
A. Outside width
B. Outside height
C. Depth

4. Apply wood preservative to the outside exposed surface.
5. Insert the frame in the wall opening. Square and level frame.
6. Attach frame securely to the wall.
7. Place a $\frac{3}{4}$ " (2 cm) thick by 2" (5 cm) wide wood strip on the bottom of the opening against the inside edge.

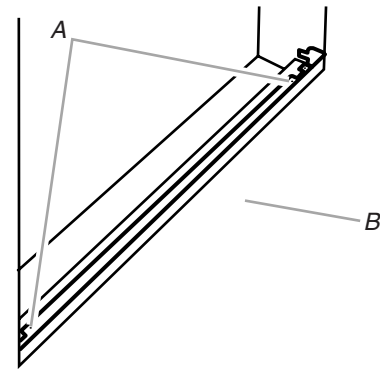


A. 17 1/4" (43.8 cm)
B. 2" (5 cm) wide
C. 3/4" (2 cm) thick
D. Indoor side of wall opening

8. Center the tray back in the opening and align it with the inside edge of the opening. Using the 2 inside screw holes in the tray back, mark screw locations for mounting the SMART-MOUNT® tray.



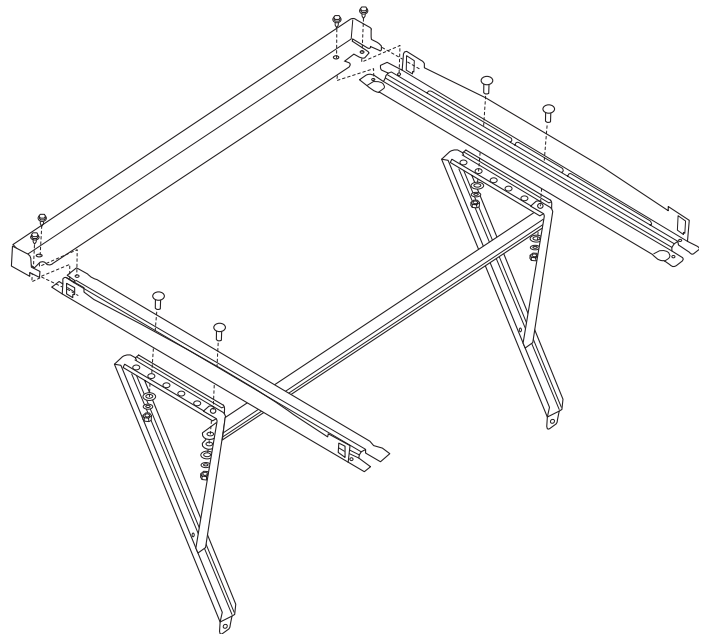
A. Flush with inside wall



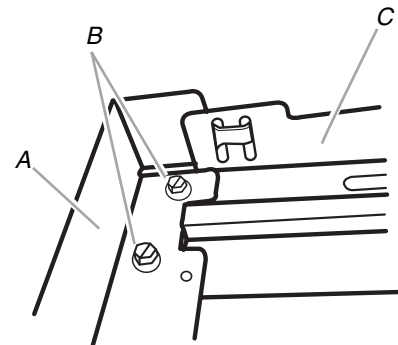
A. Inside screw holes
B. Indoor side of wall opening

9. Remove the tray back. Using these marks, drill $\frac{3}{32}$ " pilot holes approximately 1 1/2" (3.8 cm) deep.

Assemble SMART-MOUNT® Tray



1. To assemble the tray frame, insert tab on tray back into slot on tray side. Check to see that the tab is engaged and the 2 pieces are aligned. Insert 2 - #8 - 18 x 1/4" hex-head screws to secure.
2. Repeat with other tray side.

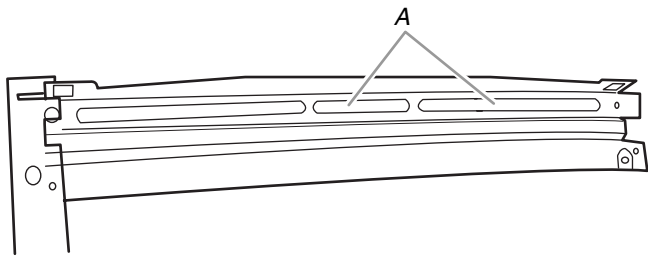


A. Tray back
B. #8 - 18 x 1/4" hex-head screws
C. Tray side

Attach Support Legs

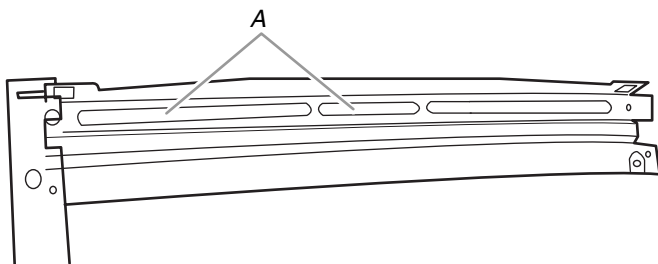
1. Determine the correct slots on the tray side from the type of exterior construction of the building.

Thin wall construction (vinyl, wood, etc.)



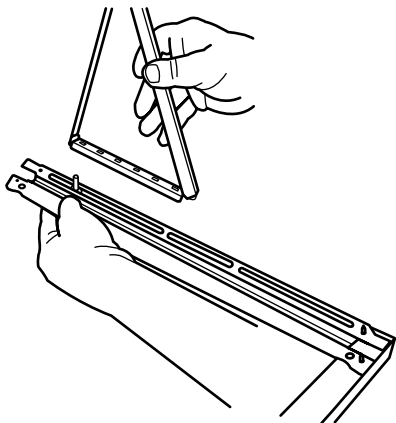
A. First and second slots

Thick wall construction (brick)

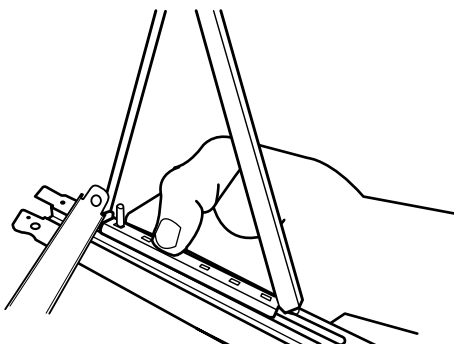


A. Second and third slots

2. Insert carriage bolt up through slot on tray-frame side and support leg.

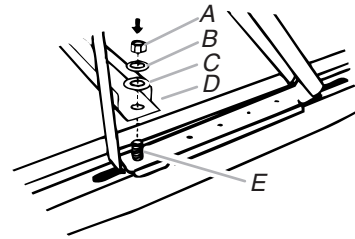


3. Place one end of tray center over carriage bolt.



4. Then place flat washer, lock washer and hex nut.

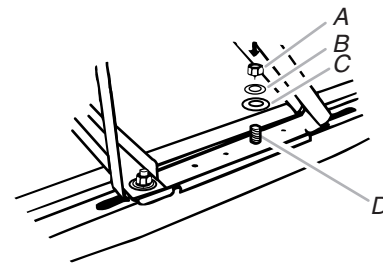
NOTE: Do not tighten. The leg must be able to move freely to adjust angle when installed.



A. Hex nut
B. Lock washer
C. Flat washer
D. Tray center
E. Carriage bolt

5. Insert second carriage bolt through tray side and attach other end of support leg.

NOTE: Do not tighten. The leg must be able to move freely to adjust angle when installed.

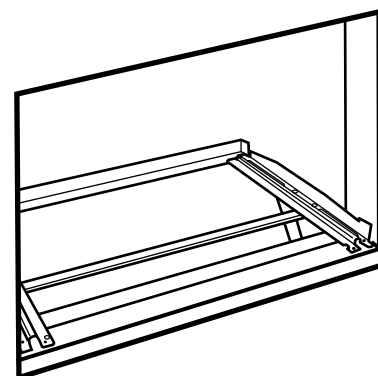


A. Hex nut
B. Lock washer
C. Flat washer
D. Carriage bolt

6. Install support leg on other side.

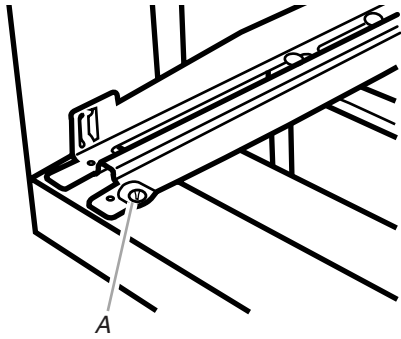
Install SMART-MOUNT® Tray Assembly in Wall Opening

1. From inside, place SMART-MOUNT® tray, support legs facing down, in the wall opening. Match the holes in tray side with the predrilled holes in wall opening.



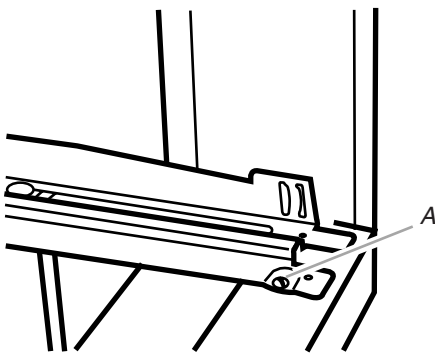
- Using 2 - #10 - 12 x 1½" slot-head wood screws, secure the tray-frame assembly to the wall opening.

Left Side



A. #10 - 12 x 1½" slot-head wood screw

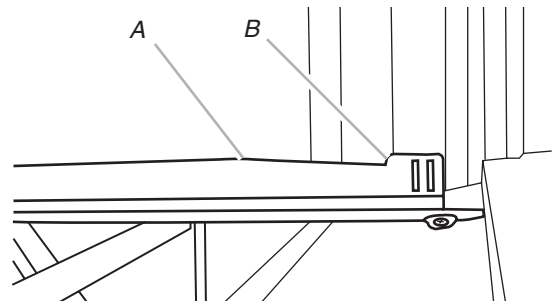
Right Side



A. #10 - 12 x 1½" slot-head wood screw

NOTE: If the exterior of building can be damaged by support legs, place a board between the wall and support legs.

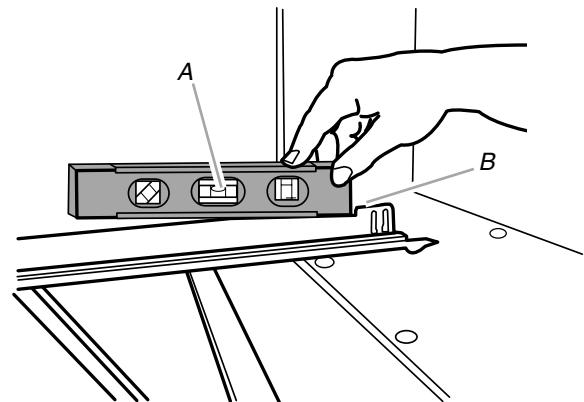
- With tray center pushed away from the windowsill, place a level on the angled edge on top of the tray side. Be sure level is against notch on tray side.



A. Angled edge on top of the tray side
B. Notch

- Adjust SMART-MOUNT® tray until bubble indicates the angled edge on top of the tray side is level.

IMPORTANT: The tray must slope downward slightly toward the outside to provide proper drainage for the air conditioner.



A. Bubble indicates the angled edge on top of the tray side is level.
B. Place level on angled edge against notch on tray side.

- Tighten the hex nut just enough to hold tray center in place.
- Repeat with other side.
- Tighten hex nuts securely with 7/16" wrench.

Position the Air Conditioner Through the Wall

- Handle air conditioner gently.
- Be sure your air conditioner does not fall out of the opening during installation or removal.
- Do not block the louvers on the front panel.
- Do not block the louvers on the outside of the air conditioner.

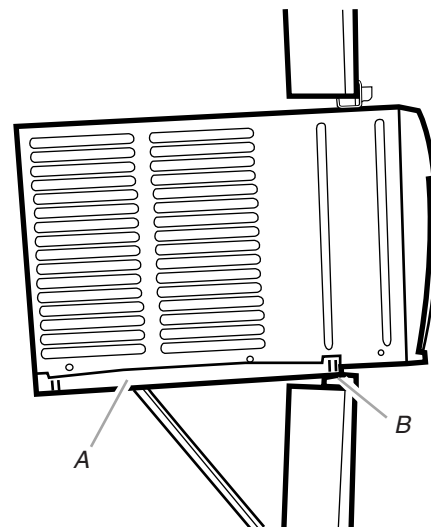
⚠ WARNING

Excessive Weight Hazard

Use two or more people to move and install air conditioner.

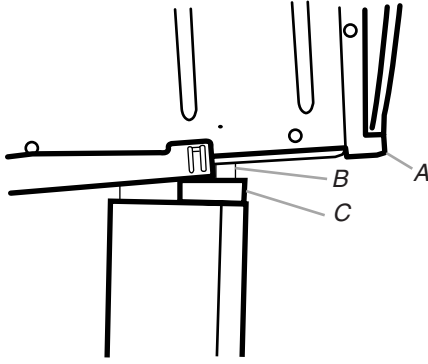
Failure to do so can result in back or other injury.

- Place the air conditioner in the SMART-MOUNT® tray. Check that feet on bottom of air conditioner are resting on the ¾" (1.9 cm) x 2" (5 cm) wood strip at the bottom of the wall opening and the top channel rests against the top of the wall opening.



A. SMART-MOUNT® tray
B. Feet on bottom of air conditioner resting on wood strip

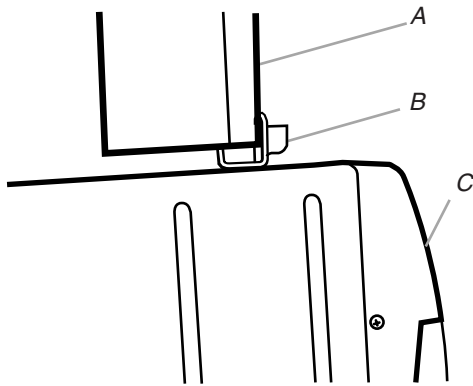
- If the feet on the bottom of the air conditioner do not rest on the wood strip, remove the air conditioner and adjust the SMART-MOUNT® tray until feet rest on the wood strip.



A. Air conditioner
 B. Feet on bottom of air conditioner
 C. 3/4" (1.9 cm) x 2" (5 cm) wood strip

- If top channel does not rest against the top of the wall opening, remove air conditioner and adjust SMART-MOUNT® tray until top channel rests against wall.

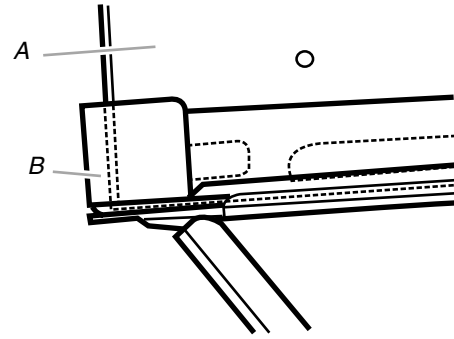
IMPORTANT: The tray must slope downward slightly toward the outside to provide proper drainage for the air conditioner.



A. Top of wall opening
 B. Top channel
 C. Air conditioner

and adjust angle of tray until air conditioner sits against the bottom of the tray.

IMPORTANT: The tray must slope downward slightly toward the outside to provide proper drainage for the air conditioner.



A. Air conditioner sitting on SMART-MOUNT® tray
 B. SMART-MOUNT® tray

- Install screws through the top channel to secure the air conditioner into the wall opening.

Complete Installation

- Trim and seal around the air conditioner on the inside and the outside.

NOTE: Allow for removal of the air conditioner at a later time for routine annual maintenance.

⚠ WARNING



Electrical Shock Hazard

Plug into a grounded 3 prong outlet.

Do not remove ground prong.

Do not use an adapter.

Do not use an extension cord.

Failure to follow these instructions can result in death, fire, or electrical shock.

- Plug into a grounded 3 prong outlet.
- Press RESET on the power supply cord plug.

- If the bottom of the air conditioner does not sit against the bottom of the SMART-MOUNT® tray, remove air conditioner

AIR CONDITIONER USE

Operating your air conditioner properly helps you to obtain the best possible results.

This section explains proper air conditioner operation.

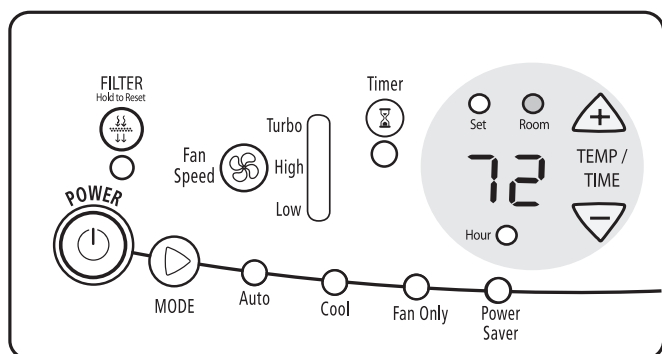
IMPORTANT:

- If you turn off the air conditioner, wait at least 3 minutes before turning it back on. This prevents the air conditioner from blowing a fuse or tripping a circuit breaker.

- Do not try to operate your air conditioner in the cooling mode when outside temperature is below 65°F (18°C). The inside evaporator coil will freeze up, and the air conditioner will not operate properly.

NOTE: In the event of a power failure, your air conditioner will operate at the previous settings when the power is restored.

Starting Your Air Conditioner—Digital Control



- **Cool**—Cools room. You can adjust temperature by pressing the plus or minus button. You can select fan speed by pressing FAN SPEED.
- **Fan Only**—Only the fan runs. You can select the fan speed by pressing FAN SPEED, but you cannot adjust the Temperature control setting. Display shows the current room temperature.
- **Power Saver**—Fan runs only when cooling is needed. You can select the fan speed by pressing FAN SPEED.

Because the fan does not circulate the room air continuously, less energy is used, but the room air is not circulated as often. Use Power Saver when you are asleep or away from home.

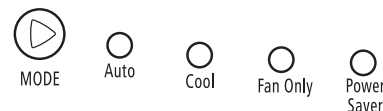
NOTES:

- When the air conditioner is off, the Room indicator light is lit and the display shows the current room temperature.
 - If the room temperature is below 55°F (13°C), the display will show 55°F (13°C). If the room temperature is above 99°F (37°C), the display will show 99°F (37°C).
 - When the Set indicator light is lit, the display shows the temperature control setting. See “Temperature.”
 - When the Hour indicator light is lit, the display shows the time remaining on the Timer setting. See “Timer Delay.”
1. Remove clear protective film from control panel and front panel badge.
 2. Press POWER to turn on air conditioner.



NOTE: When air conditioner is turned on for the first time after it is plugged in, it will display the default settings: Cool mode, Turbo fan speed, 72°F (22°C) for 3 seconds. When it is turned on at all other times, it will display the previous settings for 3 seconds, and then display the room temperature.

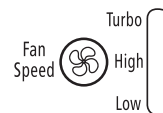
3. Select mode. See “Mode.”
4. Select fan speed. See “Fan Speed.”
5. Set temperature. See “Temperature.”



Fan Speed

NOTE: The Fan Speed button will operate only when Cool, Fan Only or Power Saver mode has been selected.

1. Press FAN SPEED until you see the indicator light come on for the setting you desire.
2. Choose Turbo, High or Low.



Filter Monitor

1. When Filter indicator light is lit or flashing, remove, clean and replace air filter. See “Cleaning the Air Filter.”
2. Press and hold FILTER for 3 seconds after cleaning and replacing the air filter. This resets the Filter Monitor.



NOTE: After 360 hours of fan operating time, the Filter indicator light will turn on. It will remain on for 180 hours or until you press FILTER. After 180 hours, it will flash. It will continue flashing until you press FILTER.

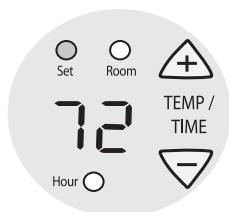
Mode

1. Press MODE until you see the indicator light come on for the setting you desire.
2. Choose Auto, Cool, Fan Only or Power Saver.
 - **Auto**—Cools room while it automatically controls fan speed. You cannot change fan speed, but you can adjust temperature by pressing the plus or minus button.

Temperature

- Press the plus button to raise the temperature. Room indicator light will turn off, and Set indicator light will turn on. Display shows the Temperature control setting. Each time you press or hold the plus button, the temperature will increase 1° until it reaches 86°F (30°C).

NOTE: After 3 seconds, Set indicator light will turn off, and Room indicator light will turn on. Display will show the current room temperature.



- Press the minus button to lower the temperature. Room indicator light will turn off, and Set indicator light will turn on. Display shows the Temperature control setting. Each time you press or hold the minus button, the temperature will decrease 1° until it reaches 64°F (18°C).

NOTE: After 3 seconds, Set indicator light will turn off, and Room indicator light will turn on. Display will show the current room temperature.

To change the temperature display from °F to °C:

1. Turn off the air conditioner.
2. While the air conditioner is off, press and hold down the MODE and FAN SPEED buttons while pressing POWER to turn on the air conditioner.

NOTE: Follow these same steps to change the temperature display from °C to °F.

Timer Delay

To set the Timer for a 1- to 24-hour delay until the air conditioner turns off (the air conditioner must be On):

1. Press TIMER. Timer indicator light will flash. Hour indicator light will turn on, and display will show remaining hours before air conditioner will turn off.



2. Press the plus or minus button to adjust the delay time (1 to 24 hours).
3. Press TIMER again or wait 10 seconds. Timer indicator light will remain on. Hour indicator light will turn off, and Room indicator light will turn on. Display will show the current room temperature.

To set the Timer to turn on the air conditioner, keeping previous settings:

1. Turn off air conditioner.
2. Press TIMER. Timer indicator light will flash. Hour indicator light will turn on, and display will show remaining hours before air conditioner will turn on.
3. Press the plus or minus button to change delay time (1 to 24 hours).
4. Press TIMER again or wait 10 seconds. Timer indicator light will remain on. Hour indicator light will turn off, and Room indicator light will turn on. Display will show current room temperature.

To set the Timer to turn on the air conditioner, changing the previous settings:

1. Turn on air conditioner.
2. Adjust Mode to Auto, Cool, Fan Only, or Power Saver.
NOTE: For Auto mode, go to Step 4.
3. For Cool, Fan Only or Power Saver mode, adjust FAN SPEED to Turbo, High or Low.
4. Adjust temperature between 64°F (18°C) and 86°F (30°C).
5. Wait 3 seconds before turning off air conditioner.
6. Press TIMER. Timer indicator light will flash. Hour indicator light will turn on, and display will show remaining hours before air conditioner will turn on.
7. Press the plus or minus button to change delay time (1 to 24 hours).
8. Press TIMER again or wait 10 seconds. Timer indicator light will remain on. Hour indicator light will turn off, and Room indicator light will turn on. Display will show current room temperature.

To clear Timer delay program:

NOTE: Air conditioner can be either on or off.

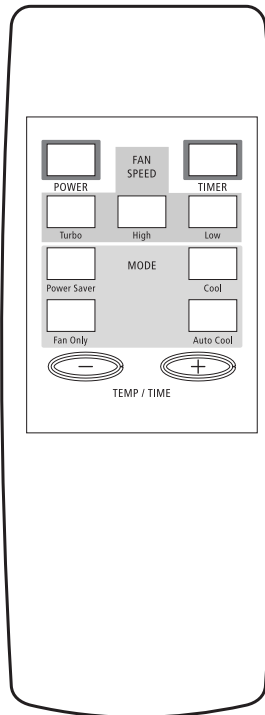
Press and hold TIMER for 3 seconds. Timer indicator light will shut off.

To see or change the remaining time (in hours):

1. Press TIMER once after it has been programmed. Hour indicator light will turn on, and display will show remaining time.
2. While the display is showing the remaining time, you can press the plus or minus button to increase or decrease the time.
3. After 10 seconds, Hour indicator light will turn off, and Room indicator light will turn on. Display will show the current room temperature.

To Operate Air Conditioner with Remote Control

NOTE: Remote control may vary in appearance.



NOTE: Two AA batteries (not included) power the remote control. Replace batteries after 6 months of use, or when the remote control starts to lose power.

To turn the air conditioner on or off:

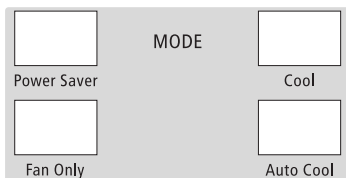
Press **POWER**.



To select the mode:

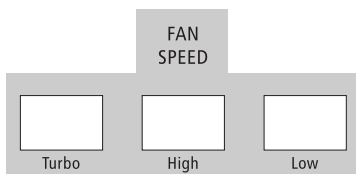
Press **AUTO COOL**, **COOL**, **FAN ONLY**, or **POWER SAVER**.

- Auto Cool—fan speed is adjusted automatically.
- Cool, Fan Only or Power Saver—you can adjust the fan speed.



To select the fan speed (in Cool, Fan Only or Power Saver mode only):

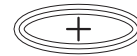
Press **TURBO**, **HIGH** or **LOW**.



To raise the temperature:

Press the plus button. Room indicator light on air conditioner will turn off, and Set indicator light on air conditioner will turn on. Display on air conditioner shows the Temperature control setting. Each time you press or hold the plus button, the temperature will increase 1° until it reaches 86°F (30°C).

NOTE: After 3 seconds, Set indicator light on air conditioner will turn off, and Room indicator light on air conditioner will turn on. Display on air conditioner will show the current room temperature.



To lower the temperature:

Press the minus button. Room indicator light on air conditioner will turn off, and Set indicator light on air conditioner will turn on. Display on air conditioner shows the Temperature control setting. Each time you press or hold the minus button, the temperature will decrease 1° until it reaches 64°F (18°C).

NOTE: After 3 seconds, Set indicator light on air conditioner will turn off, and Room indicator light on air conditioner will turn on. Display on air conditioner will show the current room temperature.



To set the Timer for a 1- to 24-hour delay until the air conditioner turns off (the air conditioner must be On):

1. Press **TIMER**. Timer indicator light on air conditioner will flash. Hour indicator light on air conditioner will turn on, and display on air conditioner will show remaining hours before air conditioner will turn off.



2. Press the plus or minus button to change delay time (1 to 24 hours).
3. Press **TIMER** again or wait 10 seconds. Timer indicator light on air conditioner will remain on. Hour indicator light on air conditioner will turn off, and Room indicator light on air conditioner will turn on. Display on air conditioner will show the current room temperature.

To set Timer to turn on air conditioner, keeping previous settings:

1. Turn off air conditioner.
2. Press **TIMER**. Timer indicator light on air conditioner will flash. Hour indicator light on air conditioner will turn on, and display on air conditioner will show remaining hours before air conditioner will turn off.
3. Press the plus or minus button to change delay time (1 to 24 hours).
4. Press **TIMER** again or wait 10 seconds. Timer indicator light on air conditioner will remain on. Hour indicator light on air conditioner will turn off, and Room indicator light on air conditioner will turn on. Display on air conditioner will show the current room temperature.

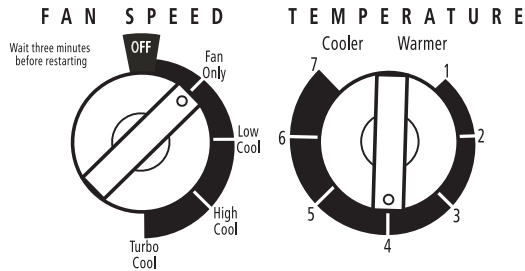
To set Timer to turn on air conditioner, changing the previous settings:

1. Turn on air conditioner.
2. Adjust Mode to Auto Cool, Cool, Fan Only, or Power Saver.
NOTE: For Auto Cool mode, go to Step 4.
3. For Cool, Fan Only or Power Saver mode, adjust Fan Speed to Turbo, High or Low.
4. Adjust temperature between 64°F (18°C) and 86°F (30°C).
5. Wait 3 seconds before turning off air conditioner.

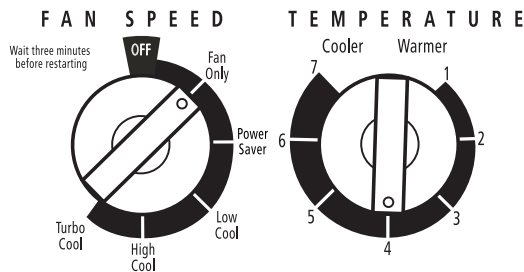
6. Press TIMER. Timer indicator light on air conditioner will flash. Hour indicator light on air conditioner will turn on, and display on air conditioner will show remaining hours before air conditioner will turn on.
7. Press the plus or minus button to change delay time (1 to 24 hours).
8. Press TIMER again or wait 10 seconds. Timer indicator light on air conditioner will remain on. Hour indicator light on air conditioner will turn off, and Room indicator light on air conditioner will turn on. Display on air conditioner will show current room temperature.

Starting Your Air Conditioner—Rotary Control

Models Without Power Saver



Models With Power Saver

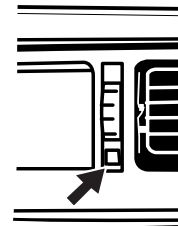


1. Remove clear protective film from front panel badge (on some models).
2. Set exhaust control. See “Exhaust Control (on some models).”
3. Select the fan speed. See “Fan Speed.”
4. Select temperature. See “Temperature.”

Exhaust Control (on some models)

Push the Exhaust control CLOSED for maximum continuous cooling. Pull the Exhaust control OPEN to allow you to draw stale or smoky air from the room.

- Open—pull to exhaust room air to the outside
- Closed—push to circulate room air



NOTE: The Exhaust control will function only when the Fan Speed control is operating.

Fan Speed

Set FAN SPEED to the desired setting. When the air conditioner is operating at Low Cool, High Cool, or Turbo Cool, the fan circulates air continuously.

- Turbo Cool—for maximum cooling
- High Cool—for normal cooling
- Low Cool—for sleeping comfort
- Fan Only—to move air continuously without cooling

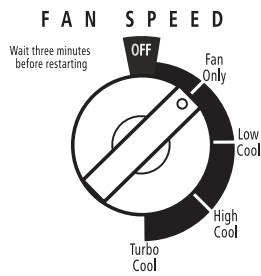
NOTE: Fan runs on Turbo speed only.

- Power Saver (on some models)—fan runs only when cooling is needed.

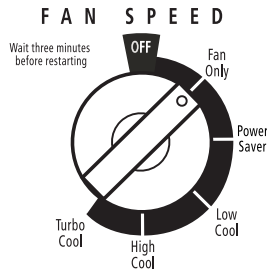
Because the fan does not circulate the room air continuously, less energy is used, but the room air is not circulated as often. Use Power Saver when you are asleep or away from home.

NOTE: Fan runs on Low speed only.

Models Without Power Saver

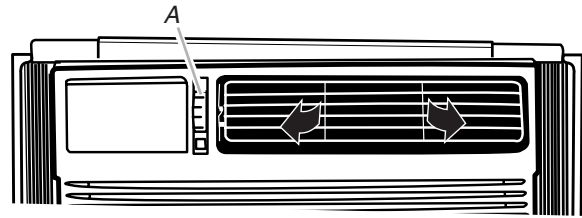


Models With Power Saver

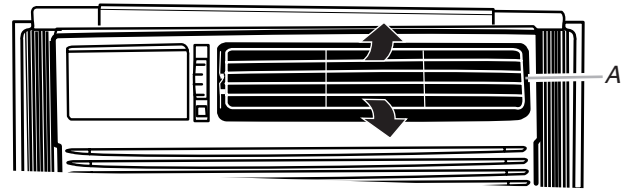


Changing Air Direction

Roll the wheel to direct the air right or left. Rotate the whole cartridge to direct air up, down or straight ahead.



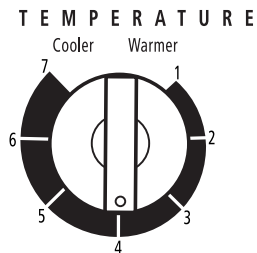
A. Wheel



A. Cartridge

Temperature

Turn the TEMPERATURE control to a mid-setting. Adjust the air conditioner's performance by turning the Temperature control clockwise for maximum cooling. For less cooling, turn the TEMPERATURE control counterclockwise. Experiment to find the setting that suits you best.



Normal Sounds

When your air conditioner is operating normally, you may hear sounds such as:

- Droplets of water hitting the condenser, causing a pinging or clicking sound. The water droplets help cool the condenser.
- Air movement from the fan.
- Clicks from the thermostat cycle.
- Vibrations or noise due to poor wall or window construction.
- A high-pitched hum or pulsating noise caused by the modern high-efficiency compressor cycling on and off.

AIR CONDITIONER CARE

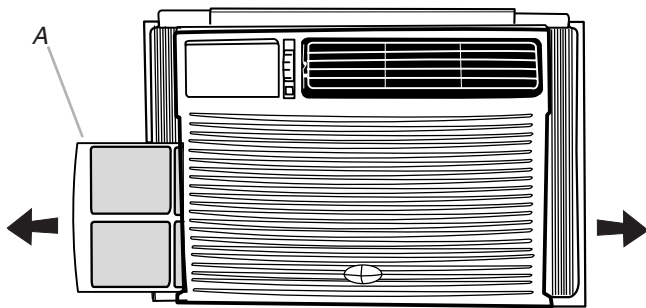
Your new air conditioner is designed to give you many years of dependable service. This section tells you how to clean and care for your air conditioner properly. Call your local authorized dealer for an annual checkup. Remember... the cost of this service call is your responsibility.

Cleaning the Air Filter

The air filter is removable for easy cleaning. A clean filter helps remove dust, lint, and other particles from the air and is important for best cooling and operating efficiency. Check the filter every 2 weeks to see whether it needs cleaning.

NOTE: Do not operate the air conditioner without the filter in place.

1. Turn off air conditioner.
2. Remove air filter by sliding filter out from either side of unit.



A. Filter may be removed from either side.

3. Use a vacuum cleaner to clean air filter. If air filter is very dirty, wash it in warm water with a mild detergent. Do not wash air filter in the dishwasher or use any chemical cleaners. Air dry filter completely before replacing to ensure maximum efficiency.
 4. Replace air filter by sliding filter back into either side of unit.
-

Cleaning the Front Panel

1. Turn off air conditioner.
 2. Remove the air filter and clean it separately. See "Cleaning the Air Filter."
 3. Wipe the front panel with a soft, damp cloth.
 4. Air dry front panel completely.
-

Repairing Paint Damage

Check once or twice a year for paint damage. This is very important, especially in areas near oceans or where rust is a problem. If needed, touch up with a good grade enamel paint.

NOTE: To reduce paint damage during the winter, install a heavy-duty cover over air conditioner cabinet. For information on ordering a heavy-duty cover, see "Accessories."

Annual Maintenance

Your air conditioner needs annual maintenance to help ensure steady, top performance throughout the year. Call your local authorized dealer to schedule an annual checkup. The expense of an annual inspection is your responsibility.

TROUBLESHOOTING

Before calling for service, try the suggestions below to see whether you can solve your problem without outside help.

Air conditioner will not operate

⚠ WARNING



Electrical Shock Hazard

Plug into a grounded 3 prong outlet.

Do not remove ground prong.

Do not use an adapter.

Do not use an extension cord.

Failure to follow these instructions can result in death, fire, or electrical shock.

- **The power supply cord is unplugged.** Plug into a grounded 3 prong outlet. See “Electrical Requirements.”
- **Time-delay fuse or circuit breaker of the wrong capacity is being used.** Replace with a time-delay fuse or circuit breaker of the correct capacity. See “Electrical Requirements.”
- **The power supply cord has tripped (Reset button has popped out).** Press and release RESET (listen for click; Reset button will latch and remain in) to resume operation.
- **A household fuse has blown, or a circuit breaker has tripped.** Replace the fuse, or reset the circuit breaker. If the problem continues, call an electrician. See “Electrical Requirements.”
- **Depending on model, the Power button has not been pressed or the Fan Speed control is turned to Off.** Press POWER button or turn the Fan Speed control to an active setting.
- **The local power has failed.** Wait for power to be restored.

Air conditioner blows fuses or trips circuit breakers

- **Too many appliances are being used on the same circuit.** Unplug or relocate appliances that share the same circuit.
- **An extension cord is being used.** Do not use an extension cord with this or any other appliance.
- **You are trying to restart the air conditioner too soon after turning the unit off.** Wait at least 3 minutes after turning the unit off before trying to restart the air conditioner.

Air conditioner power supply cord trips (Reset button pops out)

- **Disturbances in your electrical current can trip (Reset button will pop out) the power supply cord.** Press and release RESET (listen for click; Reset button will latch and remain in) to resume operation.
- **Electrical overloading, overheating, cord pinching or aging can trip (Reset button will pop out) the power supply cord.** After correcting the problem, press and release RESET (listen for click; Reset button will latch and remain in) to resume operation.

NOTE: A damaged power supply cord must be replaced with a new power supply cord obtained from the product manufacturer and must not be repaired.

Air conditioner seems to run too much

- **The current air conditioner replaced an older model.** The use of more efficient components may cause the air conditioner to run longer than an older model, but the total energy consumption will be less. Newer air conditioners do not emit the “blast” of cold air you may be accustomed to from older units, but this is not an indication of lesser cooling capacity or efficiency. Refer to the efficiency rating (EER) and capacity rating (in BTU/hr.) marked on the air conditioner.
- **The air conditioner is in a heavily occupied room, or heat-producing appliances are in use in the room.** Use exhaust vent fans while cooking or bathing and try not to use heat-producing appliances during the hottest part of the day. A higher capacity air conditioner may be required, depending on the size of the room being cooled.

Air conditioner cycles on and off too much or does not cool

- **The Mode is set to Power Saver (on some models).** Use Power Saver only when you are asleep or away from home, since the fan does not circulate the room air continuously. Use Low, High or Turbo for your best comfort.
- **The air conditioner is not properly sized for your room.** Check the cooling capabilities of your room air conditioner. Room air conditioners are not designed to cool multiple rooms.
- **The filter is dirty or obstructed by debris.** Clean the filter.
- **The inside evaporator and outside condenser coils are dirty or obstructed by debris.** See “Annual Maintenance.”
- **There is excessive heat or moisture (open container cooking, showers, etc.) in the room.** Use a fan to exhaust heat or moisture from the room. Try not to use heat-producing appliances during the hottest part of the day.
- **The louvers are blocked.** Install the air conditioner in a location where the louvers are free from curtains, blinds, furniture, etc.
- **The outside temperature is below 65°F (18°C).** Do not try to operate your air conditioner in the cooling mode when the outside temperature is below 65°F (18°C).

- **The temperature of the room you are trying to cool is extremely hot.** Allow extra time for the air conditioner to cool off a very hot room.
- **Windows or doors to the outside are open.** Close all windows and doors.
- **The Exhaust control is set to OPEN (on some models).** Push the Exhaust control CLOSED for maximum cooling.
- **Depending on model, the Temp/Time or Temperature control is not at a cool enough setting.** Adjust the TEMP/TIME control to a cooler setting by pressing the minus button to reduce the temperature, or adjust the Temperature control to a cooler setting by turning the knob clockwise. Set the Fan Speed control to Turbo or Turbo Cool.

Temperature on display does not match room temperature

- **When the compressor and fan motor turn off during Power Saver mode, or after you turn off the unit, a lower temperature reading than the actual room temperature may be displayed for a short period of time.** This lower temperature reading is caused by the temperature sensor being located close to the cold evaporator coil. The actual room temperature will be displayed within a few minutes.

Water drips from cabinet into your house

- **The air conditioner is not properly leveled.** The air conditioner should slope slightly downward toward the outside. Level the air conditioner to provide a downward slope toward the outside to ensure proper drainage. See the Installation Instructions.
NOTE: Do not drill a hole into the bottom of the metal base and condensate pan.

ASSISTANCE OR SERVICE

Before calling for assistance or service, please check “Troubleshooting.” It may save you the cost of a service call. If you still need help, follow the instructions below.

When calling, please know the purchase date and the complete model and serial number of your appliance. This information will help us to better respond to your request.

If you need replacement parts

If you need to order replacement parts, we recommend that you use only factory-authorized replacement parts. These replacement parts will fit right and work right because they are made with the same precision used to build every new appliance.

To locate factory-authorized replacement parts in your area, call our Customer eXperience Center or your nearest designated service center.

In the U.S.A.

Call the Customer eXperience Center toll free: **1-800-253-1301**.

Our consultants provide assistance with:

- Features and specifications on our full line of appliances.
- Installation information.
- Use and maintenance procedures.
- Accessory and repair parts sales.
- Specialized customer assistance (Spanish speaking, hearing impaired, limited vision, etc.).
- Referrals to local dealers, repair parts distributors, and service companies. Our service technicians are trained to fulfill the product warranty and provide after-warranty service, anywhere in the United States.

To locate the authorized service company in your area, you can also look in your telephone directory Yellow Pages.

For further assistance

If you need further assistance, you can write with any questions or concerns at:

Customer eXperience Center
553 Benson Road
Benton Harbor, MI 49022-2692

Please include a daytime phone number in your correspondence.

Please record your model's information.

Whenever you call to request service on your appliance, you need to know your complete model number and serial number. You can find this information on the model and serial number label. See “Electrical Requirements” for model and serial number location.

Please record the model and serial number information below. Also, record the purchase date of your appliance and the store's name, address, and telephone number.

Model Number _____

Serial Number _____

Purchase Date _____

Store Name _____

Store Address _____

Store Phone _____

Keep this book and the sales slip together for future reference.

Accessories

You can order the following accessories for your air conditioner from your local authorized dealer or by calling **1-800-253-1301** from anywhere in the U.S.A.

Replacement air filters

A good, clean air filter is important for best cooling with least energy consumption. Your air filter should be cleaned regularly. See “Cleaning the Air Filter” for cleaning instructions. We suggest you replace your air filter once a year.

For a new electrostatic air filter, order Part Number 1187197. Airborne particles are attracted to an electrostatic air filter and remain attached to it until they are rinsed away. For a new antimicrobial air filter, order Part Number 1187389. In addition to providing all the benefits of an electrostatic air filter, an antimicrobial air filter also inhibits the growth of odor-causing bacteria, fungi, mold and mildew on the filter. Both of these air filters are sized to fit your air conditioner.

Heavy-duty cover

If you decide to leave your air conditioner installed during the winter, a heavy-duty cover will help protect your air conditioner and reduce drafts. The outdoor cover protects against cold drafts through the unit's air passages and protects the cabinet from snow, rain, sleet, rust, and dust.

For a heavy-duty outdoor cover sized to fit your air conditioner, order Part Number 484069.

For a heavy-duty indoor cover sized to fit your air conditioner, order Part Number 4392941.

